

# KeyGear PDQ Display Specifications



Cardboard insert holds items in place.

## For all KeyGear items:

- The PDQ will include 6 or 4 units, depending on product
- 4 PDQs in a Master Carton - 200 PSI (K3K)
- 4 Master Cartons in a Shipping Carton - 200 PSI (K3K)

### Key-Gear – 6 or 4 Count PDQ Display Specifications:

Cardboard PDQ Display with slip-on corrugated box cover shipper.

Display dimensions (Refer to the illustration):

Inside dimensions:

L x W x H: 18.4 x 8.3 x 13.3cm (7.25" x 3.25" x 5.25")

### General Specifications for PDQ Display:

- Shippable when closed.
- Slip-on cover to be full height of display and must be taped to bottom of PDQ for shipping.
- Capable of shipping 1.5 lbs. net weight of product.

### Specs for Printed PDQ Display

- Style: 1-2-3 Bottom Design
- Slotted insert (slanted) to hold product upright and leaning back slightly.
- Color: - 3 Spot color outside (Green, Gray, and Black.)
  - Please follow "Gold Standard" sample provided.
  - White inside.
- Print: 3C + gloss varnish
- Stock: 250gsm CCNB+105g medium + 160gsm kraft in E flute (A9)
- Finishing: Die cut, fold/glue

### Specs for Kraft HSC Slip-On Cover Shipper

- Style: Half Slotted Container (HSC)
- Color: Kraft brown inside and outside
- Stock: 230gsm kraft + 105g medium + 230gsm kraft in B flute
- Finish: Die cut, fold/glue
- No printing
- Approx. 175 lbs bursting

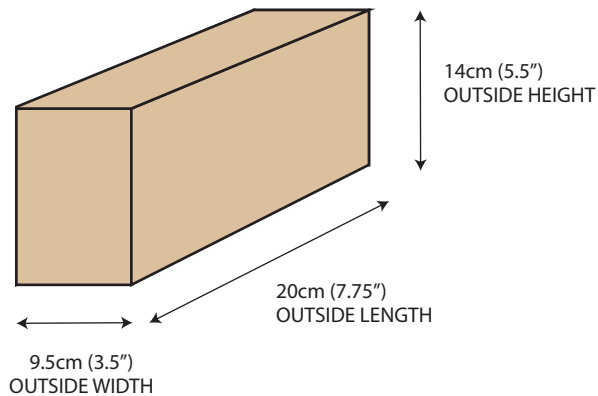
# KeyGear Carton Specifications

Arrangement of the boxes in this configuration is mandatory - overall dimensions may vary slightly but should be as close as possible.

## PDQ Cover Outside Dimensions

L x W x H: 20 x 9.5 x 14cm

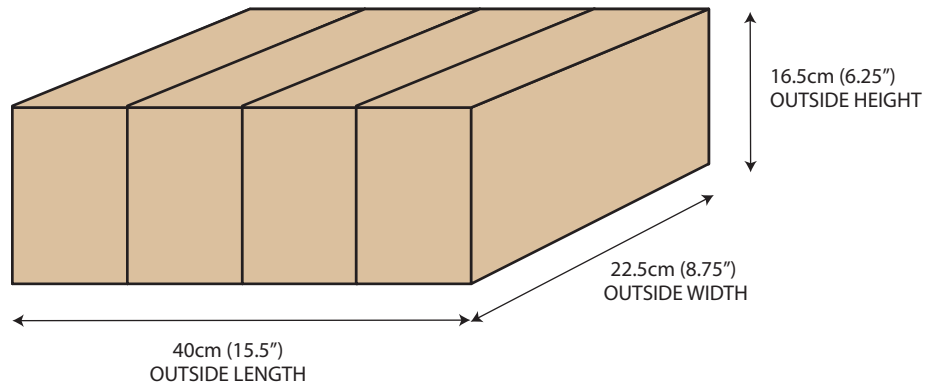
L x W x H: 7.75" x 3.5" x 5.5"



## Master Carton Outside Dimensions

L x W x H: 40 x 22.5 x 16.5cm

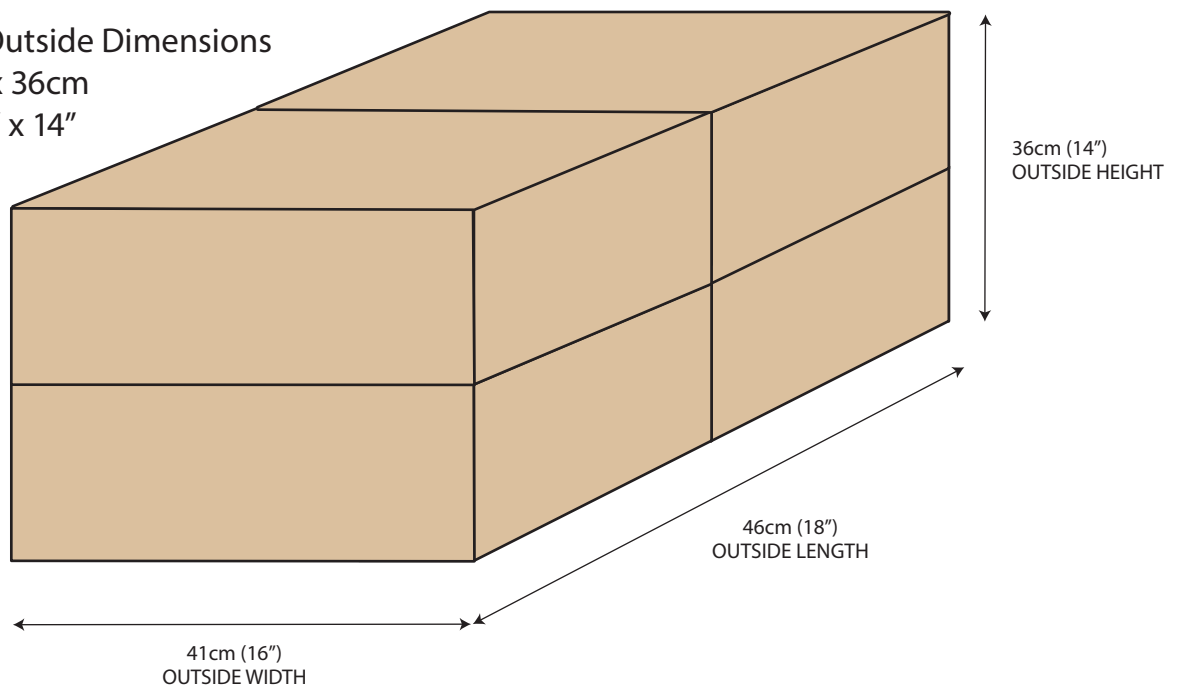
L x W x H: 15.5" x 8.75" x 6.25"



## Shipping Carton Outside Dimensions

L x W x H: 46 x 41 x 36cm

L x W x H: 18" x 16" x 14"



**All standard UST Brands carton marking and label instructions (7044) also apply to all KeyGear cartons.**