

Enspire™ LED Headlamp - Owner's Guide

Operating Instructions for the Headlamp

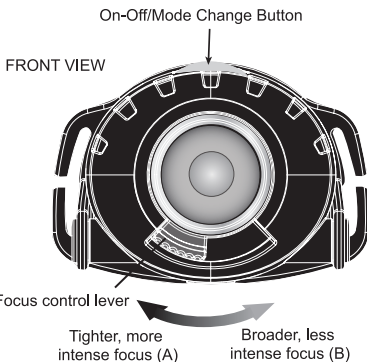
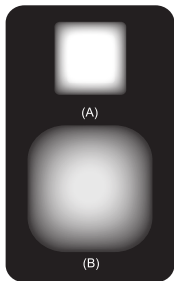
HIGH, MEDIUM, LOW & STROBING MODES: Install batteries (see instructions on reverse side). Press orange button on top of the headlamp once for HIGH MODE, twice for MEDIUM MODE, 3 times for LOW MODE, 4 times for STROBE and 5 TIMES for OFF. After a few seconds (in any mode), pressing the orange button a single time will turn the headlamp off and reset the sequence.

FOCUSING BEAM: You can control the light concentration of the headlamp in any mode (including strobing) by simply adjusting the Focus Control Lever (see diagram below). Moving the lever to the extreme left will emit highly concentrated light (A), while moving it to the extreme right spreads dimmer light over a larger area (B).

SAFETY NOTE:

Never look directly into the headlamp while performing this action, or at any other time. Always point the light away from your eyes – either against a wall or at the palm of your hand.

LIGHT CONCENTRATION

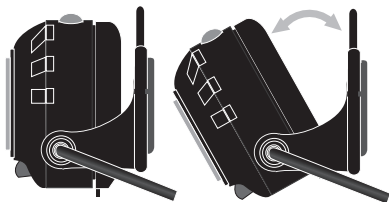


⚠ WARNING:
 Do not look directly into LED for more than a few seconds.
 Do not allow children to use LED light unless under supervision of an adult.

4X  1X

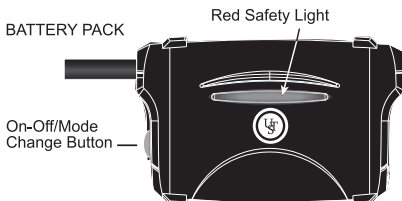
Ratcheting the Headlamp

While holding the base of the headlamp, gently reposition forward to preferred angle. The clicking sound produced is normal.



Operating Instructions for the Battery Pack Safety Light

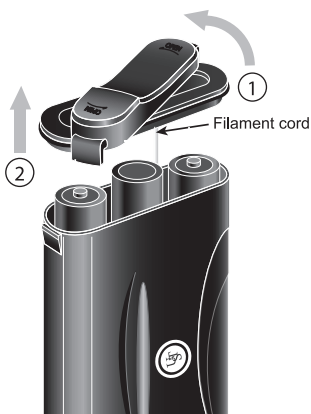
STEADY & FLASHING MODES: Press the orange On-Off/Mode change button on the battery pack side – once for ON (steady), twice for FLASHING and 3 times for OFF.



Installing and Changing Batteries

TO OPEN: Twist battery cap counter-clockwise until a snap is heard. Gently pull the entire 2-piece cap assembly upward, secured by a filament cord. (See illustration, right.) Discard old batteries and dispose properly. Insert new batteries according to polarity marked inside the battery chamber. Do not mix old and new batteries or mix battery types.

TO CLOSE: Reverse the action as previously mentioned. Make sure battery cap is securely fastened prior to use.



Do not mix old and new batteries.
Do not mix alkaline, standard, or rechargeable batteries.